



# Great Little Box Company

Great people to deal with • Great packaging solutions



corrugated



folding cartons & rigid boxes



labels



protective packaging



shipping supplies

## GLBC FLOOR #5 - SHELF

*Great Little Box Company's retail display solutions are an easy and affordable approach to merchandising.*

### BASE

Board: B Flute

### SHELL

Board: B Flute

### SHELF

Board: B Flute

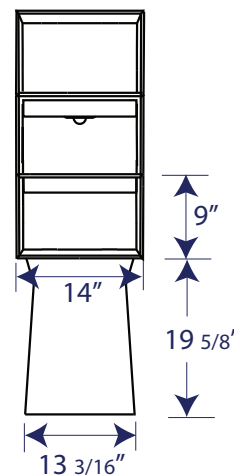
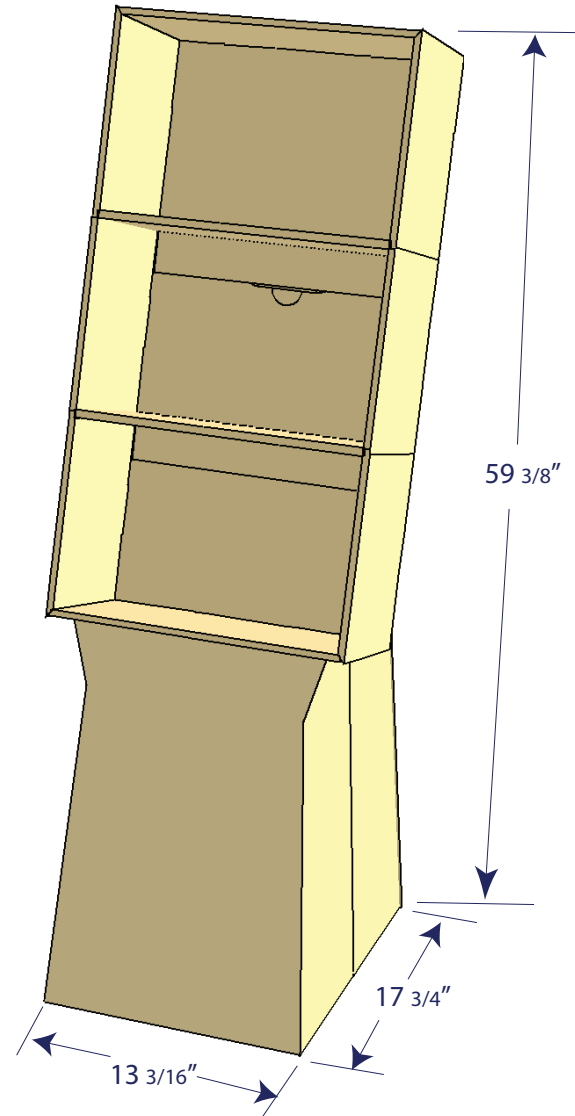
### PAD

Board: Kraft Double Wall (no print required)

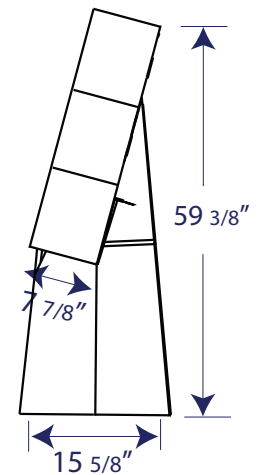
### Print Options:

*Ask about various print options available to fit any budget and brand requirements.*

- Digital Print
- Flood coat options
- 1 and 2 colour flexo graphic print
- Screen printing
- Spot Label application
- High end Litho laminate sheets



FRONT VIEW



SIDE VIEW

[www.greatlittlebox.com](http://www.greatlittlebox.com)

Richmond, BC

Phone: 604-301-3700

Email: [info@greatlittlebox.com](mailto:info@greatlittlebox.com)

Victoria, BC

Phone: 250-384-3382

Email: [victoria@greatlittlebox.com](mailto:victoria@greatlittlebox.com)



Kelowna, BC

Phone: 250-765-6988

Email: [kelowna@greatlittlebox.com](mailto:kelowna@greatlittlebox.com)

Everett, WA

Phone: 425-349-4522

Email: [everett@greatlittlebox.com](mailto:everett@greatlittlebox.com)