



# Great Little Box Company

Great people to deal with • Great packaging solutions



corrugated



folding cartons & rigid boxes



labels



protective packaging



shipping supplies

## GLBC FLOOR #7 - DUMP BIN

*Great Little Box Company's retail display solutions are an easy and affordable approach to merchandising.*

### BASE

Board: C Flute

### INSERT

Board: C Flute

### DIVIDER

Board: Double Wall

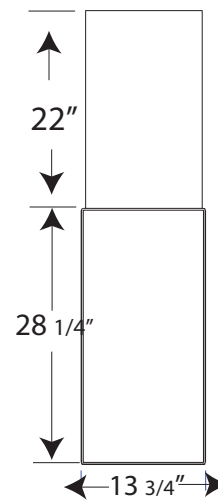
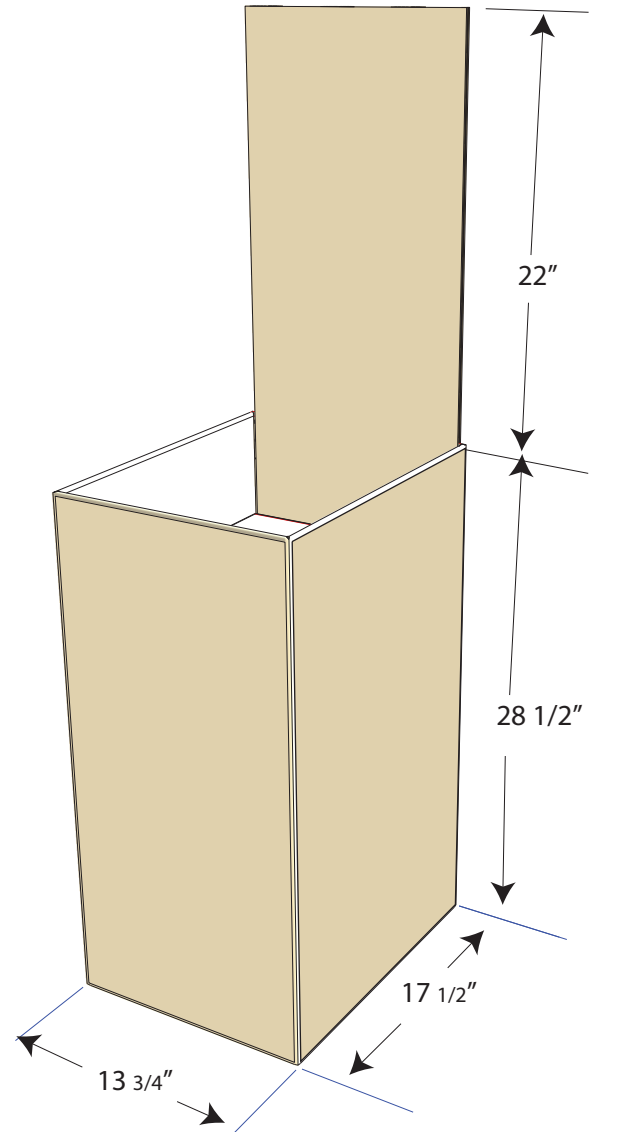
### HEADER

Board: B Flute

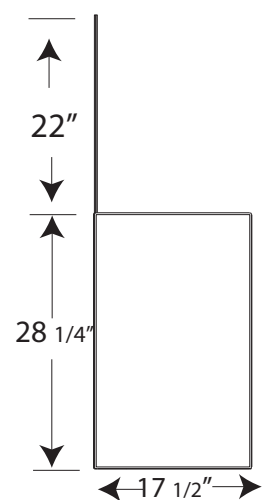
### Print Options:

Ask about various print options available to fit any budget and brand requirements.

- Digital Print
- Flood coat options
- 1 and 2 colour flexo graphic print
- Screen printing
- Spot Label application
- High end Litho laminate sheets



FRONT VIEW



SIDE VIEW

[www.greatlittlebox.com](http://www.greatlittlebox.com)

Richmond, BC

Phone: 604-301-3700

Email: [info@greatlittlebox.com](mailto:info@greatlittlebox.com)

Victoria, BC

Phone: 250-384-3382

Email: [victoria@greatlittlebox.com](mailto:victoria@greatlittlebox.com)



Kelowna, BC

Phone: 250-765-6988

Email: [kelowna@greatlittlebox.com](mailto:kelowna@greatlittlebox.com)

Everett, WA

Phone: 425-349-4522

Email: [everett@greatlittlebox.com](mailto:everett@greatlittlebox.com)